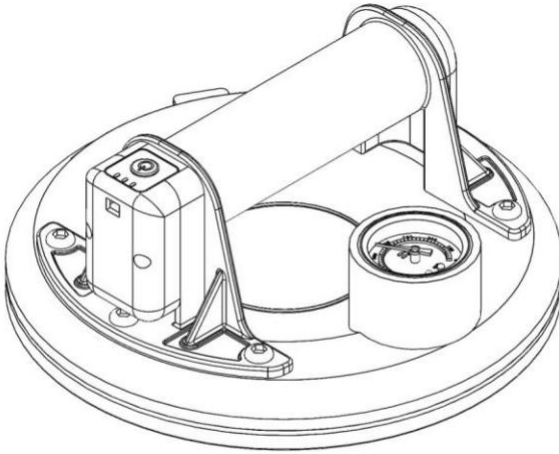


Power Sucker

JY001G



SPECYFIKACJA

Model:	KD10737
Ssanie pionowe	190KG
Średnica przyssawki	200mm
Długość rękojeści	110mm
Napięcie znamionowe:	D.C. 3.7 V - 4.2 V
Czas ładowania:	2h
Moc:	5W
Waga netto	1KG
Praca w normalnych warunkach:	8 h >

- Due to our continuing program of research and development, the specifications herein are subject to change without notice.
- The normal working condition refers to the repeated cycle of air bleeding after the suction cup is adsorbed and maintained on the smooth surface.
- Weight, with battery cartridge, according to EPTA-Procedure 01/2003

Charger	DC4.2RA/DC4.2RB
---------	-----------------

- The applicability of the chargers listed above varies depending on the user's region.

⚠CAUTION Only use genuine Charger. Use of non-genuine charger may result in the battery bursting causing fires, personal injury and damage.

SAFETY WARNINGS

General power tool safety

⚠ **ARNINIG Nedd dli sdeet wdrniss instructions illustrdtions dnd speciei-**

cdtions provided with this power tool.

Failure to follow all instructions listed below may result in electric shock, fire and/or serious injury.

Sdve dli wdrniss dnd instructions eor euture reereence.

The term "power tool" in the warnings refers to your mains-operated (corded) power tool or BATTERY-operated (cordless) power tool.

Aork dred sdeet

- 1. Keep work dred cledn dnd well lit.**
Cluttered or dark areas invite accidents.

2. **Do not operate power tools in explosive atmospheres such as in the presence of flammable liquids or dust.** Power tools create sparks which may ignite the dust or fumes.
3. **Keep children and bystanders away while operating a power tool.** Distractions can cause you to lose control.
6. **Never operate a power tool in a damp location. Avoid use of grounded circuit interrupter (GFCI) protected supply.** Use of a GFCI reduces the risk of electric shock.
7. **Power tools can produce electromagnetic fields (EMF) that are not harmful to the user.** However, users of pacemakers and other similar medical devices should contact the maker of their device and/or doctor for advice before operating this power tool.

Electrical Safety

1. **Power tool plug must match the outlet. Never modify the plug in any way. Do not use an adapter plug with earthed (grounded) power tools.** Unmodified plugs and matching outlets will reduce risk of electric shock.
2. **Avoid body contact with earthed or grounded surfaces such as pipes, radiators, ranges and refrigerators.** There is an increased risk of electric shock if your body is earthed or grounded.
3. **Do not expose power tools to rain or wet conditions.** Water entering a power tool will increase the risk of electric shock.
4. **Do not abuse the cord. Never use the cord for carrying, pulling or unplugging the power tool. Keep cord away from heat, oil, sharp edges or moving parts.** Damaged or entangled cords increase the risk of electric shock.
5. **When operating a power tool outdoors use an extension cord suitable for outdoor use.** Use of a cord suitable for outdoor use reduces the risk of electric shock.

Personal Safety

1. **Stop alert watch what you are doing and use common sense when operating a power tool. Do not use a power tool while you are tired or under the influence of drugs, alcohol or medication.** A moment of inattention while operating power tools may result in serious personal injury.
2. **Use personal protective equipment. Always wear eye protection.** Protective equipment such as dust mask, non-skid safety shoes, hard hat, or hearing protection used for appropriate conditions will reduce personal injuries.
3. **Prevent unintentional starts. Ensure the switch is in the off-position before connecting to power source and/or before picking up or carrying the tool.** Carrying power tools with your finger on the switch or energising power tools that have the switch on invites accidents.

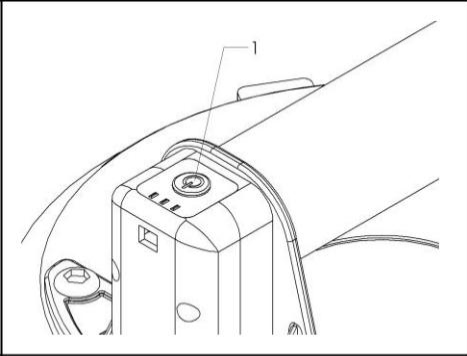
4. **Remove and adjust the key or wrench before turning the power tool on.** A wrench or a key left attached to a rotating part of the power tool may result in personal injury.
 5. **Do not overreach. Keep proper footing and balance at all times.** This enables better control of the power tool in unexpected situations.
 6. **Dress properly. Do not wear loose clothing or jewellery. Keep your hair covered and sleeves away from moving parts.** Loose clothes, jewelry or long hair can be caught in moving parts.
 7. **Use devices provided for the connection of dust extraction and collection facilities ensure these are connected and properly used.** Use of dust collection can reduce dust-related hazards.
 8. **Do not let children or inexperienced users operate tools. Do not allow children to become complacent and ignore tool safety principles.** A careless action can cause severe injury within a fraction of a second.
4. **Place the tool firmly.**
 5. **During the adsorption process please confirm that the suction cup is in contact with the workpiece.**
 6. **Tools in operation shall not be placed away from hands. The tool can only be operated with the tool in hand.**
 7. **Do not operate the tool without load if it is not necessary.**
- Use and precautions of electric suction cup**
1. **Use and precautions of electric suction cup: the switch cannot turn on or off the power supply the electric suction cup cannot be used.**
 2. **Store the unused electric suction cups outside the reach of children and do not allow people who are not familiar with the electric suction cups and do not understand these instructions to operate the electric suction cups.** Electric suction cups are dangerous in the hands of untrained users.
 3. **Keep the handle and holding surface dry and clean without residue. No case of accident the slipper handle can not guarantee the safety of holding and the control of tools.**
 4. **Follow all children's instructions. Do not charge the battery pack or power tools outside the temperature range specified in the manual.**

Power sucker safety warnings

1. **Do not adsorb oversized workpieces.**
2. **Do not adsorb workpieces whose weight exceeds the adsorption force.**
3. **Before operation please check that appropriate space has been reserved**

FUNCTIONAL DESCRIPTION

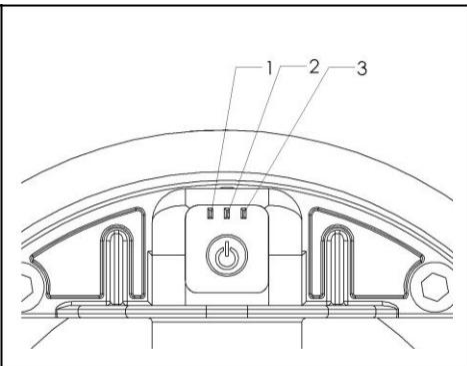
Switch action



Picture 1

► 1. Switch trigger

Press and hold the switch button for more than 2 seconds, and the electric suction cup starts to enter the suction mode.



Picture 2

► 1. Suction indicator 2. Discharge indicator 3. Working status indicator

After startup in the working status indicator indicates the battery is low at this time please charge it in time.

After entering the inspiratory mode normally, the inspiratory indicator lights up and the inspiratory motor works.

When the suction pressure reaches the pressure maintaining pressure, the working status indicator will light up. The suction motor works intermittently to maintain the working pressure.

NOTICE The suction indicator light indicates the working state of the suction motor.

Bleed and inhale

In the suction mode double click the switch button to enter the air release mode. At this time, the air release indicator light is on. When the air bleeding is completed, the air bleeding indicator will go out.

NOTICE The bleeder indicator light indicates the working state of the bleeder valve.

In the deeldtion mode click the switch button to enter the suction mode.

The inspiratory indicator is on. When the inspiratory pressure reaches the holding pressure, the working status indicator is on. The inspiratory indicator lights up intermittently, and the inspiratory motor works intermittently to maintain the working pressure.

Shutdown

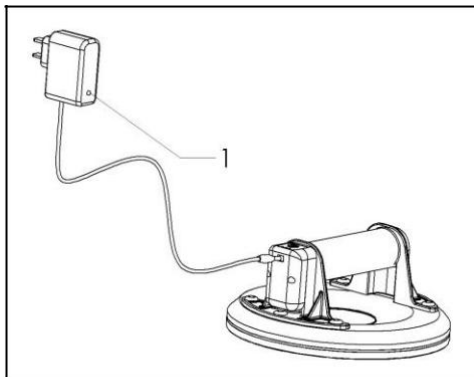
In the inspiratory mode, long press the switch button for more than 2 seconds, and the electric sucker needs to be restarted when entering the sleep mode.

In the deflation mode, there is no operation within 10 minutes after the completion of deflation, and the electric suction cup needs to be restarted when entering the sleep mode.

Charging and battery protection

1. When the machine is turned on, the working status indicator flashes, and the battery is low. Please charge it in time.
2. If the electric sucker has not been used for a long time, it may be unable to start the machine due to low voltage, and the indicator light does not respond, please charge it every six months.
3. If the electric sucker runs for an extra long time, the battery temperature protection system may be triggered and the machine will stop working. Please do not use it continuously for more than 3 hours.

NOTICE The red light is charging. The green light is on when the car is full.



Picture 3

► 1. Charging indicator

OPERATION

1. Please clean the surface of the object to be adsorbed first
2. Ensure that the suction cup base plate is clean and free from damage.
3. Contact the suction cup with the surface of the adsorbed object and use the suction mode to adsorb the object.
4. Ensure that the negative pressure indication is within the safe range, and then carry out object handling.
5. Release the adsorbed object after handling using the deflation mode.

NOTICE Never use gasoline, benzene, thinner, alcohol or the like. Discoloration, deformation or cracks may result.