

MAINTENANCE

1. KEEP THE PRODUCT CLEAN AND STORE AND TRANSPORT IT IN THE BOX. IMMEDIATELY REMOVE DUST WITH A BRUSH OR WIPE IT WITH A DRY, CLEAN COTTON CLOTH. FOR HEAVIER STAINS, A SLIGHTLY DAMPENED COTTON CLOTH CAN BE USED.

2. DO NOT USE ABRASIVE CLEANERS, ACETONE, OR ALCOHOL. STORE AND TRANSPORT IN A DRY, WELL-VENTILATED AREA.

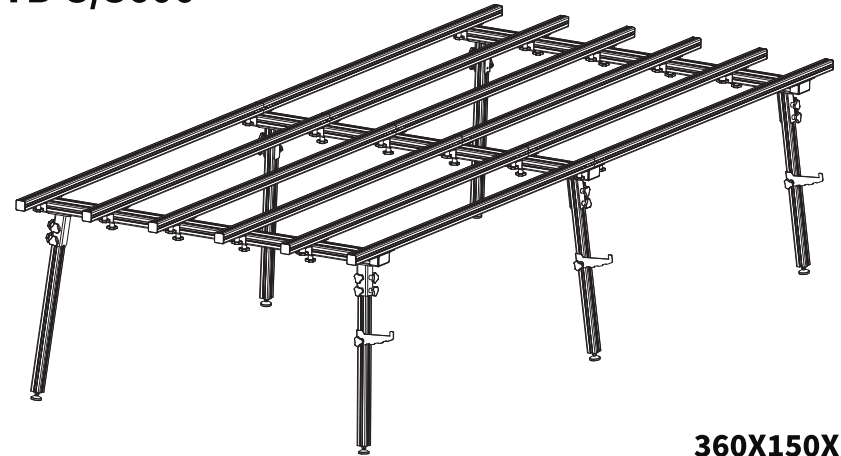
3. NO SPECIAL DISPOSAL CONDITIONS ARE REQUIRED.

NOTE: THE MANUFACTURER RESERVES THE RIGHT TO MAKE DESIGN CHANGES TO THE PRODUCT.

INSTRUCTION MANUAL

LARGE FORMAT SLAB WORKING BENCH

DB-TB-3/3600



360X150X80CM

THE WORKING BENCH IS DESIGNED FOR CUTTING LARGE FORMAT SLABS AND PERFORMING OTHER TASKS, WITH A MAXIMUM LOAD CAPACITY OF UP TO 250 KGS. IT OFFERS QUICK ASSEMBLY AND DISASSEMBLY. THE KIT INCLUDES A CARRYING AND STORAGE BAG.

MAIN PARTS

1		2		3	
4					
5					
6					
①	LEFT LEG CONNECTOR X3	②	RIGHT LEG CONNECTOR X3	③	SUPPORT RACK X3
④	SHORT EDGE OF THE WORKBENCH X6	⑤	WORKBENCH LEG X6	⑥	CROSS BAR X12

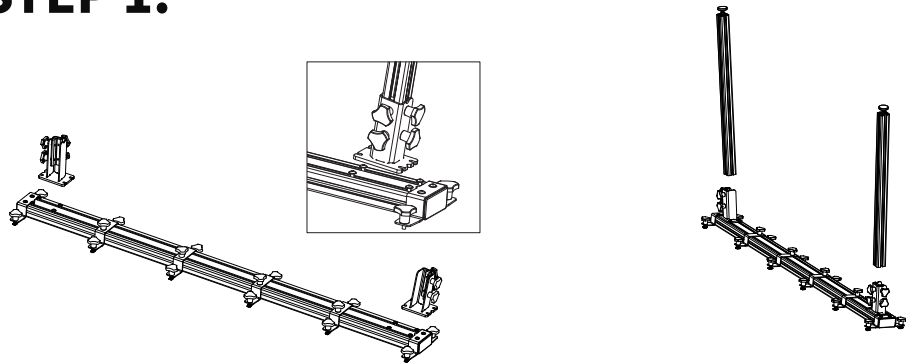
SPECIFICATION

DIMENSIONS (CM)	360X150X80
MATERIALS	ALUMINUM, STEEL
WEIGHT (KG)	47.7
NUMBER OF LEGS (PIECES)	6
MAXIMUM LOAD CAPACITY (KG)	250

"BEFORE OPERATION, PLEASE READ THIS INSTRUCTION MANUAL CAREFULLY AND STRICTLY COMPLY WITH ITS REQUIREMENTS. KEEP THIS MANUAL FOR THE ENTIRE SERVICE LIFE OF THE PRODUCT. PLEASE READ THE MANUAL IN ITS ENTIRETY AND REFRAIN FROM OPERATING THE PRODUCT UNTIL YOU HAVE READ THE SAFETY WARNINGS."

INSTALLATION STEPS

STEP 1:



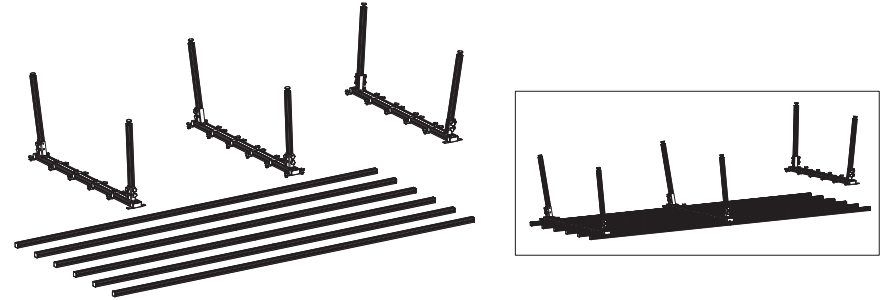
INSTALL THE LEFT AND RIGHT LEG CONNECTORS ①② ONTO THE SHORT EDGE OF THE WORKBENCH ④. INSERT THE WORKBENCH LEGS ③ INTO THE LEFT AND RIGHT LEG CONNECTORS ①②, AND ASSEMBLE ALL SIX WORKBENCH LEGS IN THIS MANNER.

STEP 2:



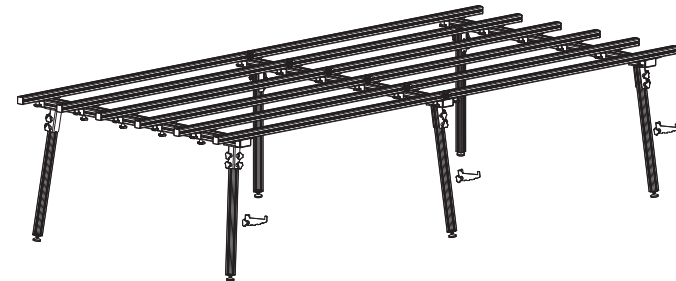
CONNECT THE CROSS BARS ⑤ IN PAIRS TO CREATE A 360CM LENGTH.

STEP 3:



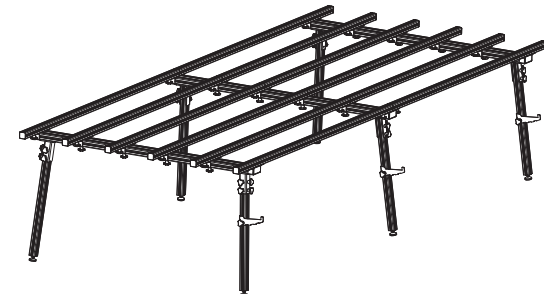
ASSEMBLE THE COMPONENTS COMPLETED IN STEPS 2 AND 3 ACCORDING TO THE DIAGRAM.

STEP 4:



INSTALL THE SUPPORT RACKS ⑥ ON ONE SIDE OF THE WORKBENCH LEGS ③.

STEP 5:



ASSEMBLY COMPLETED.