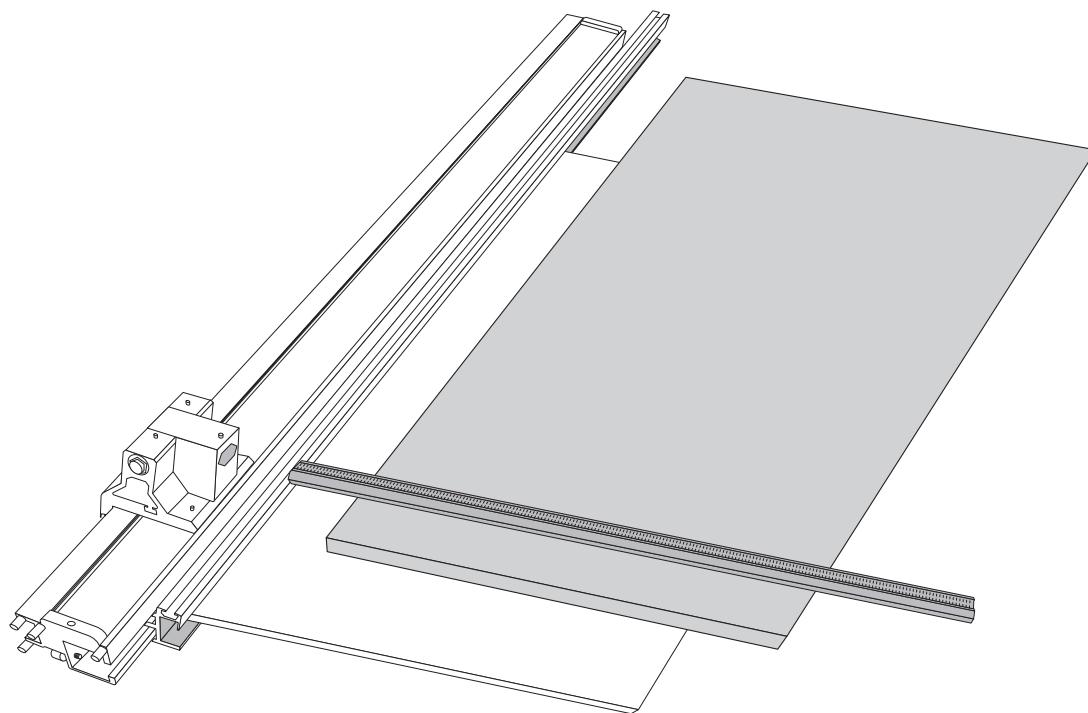
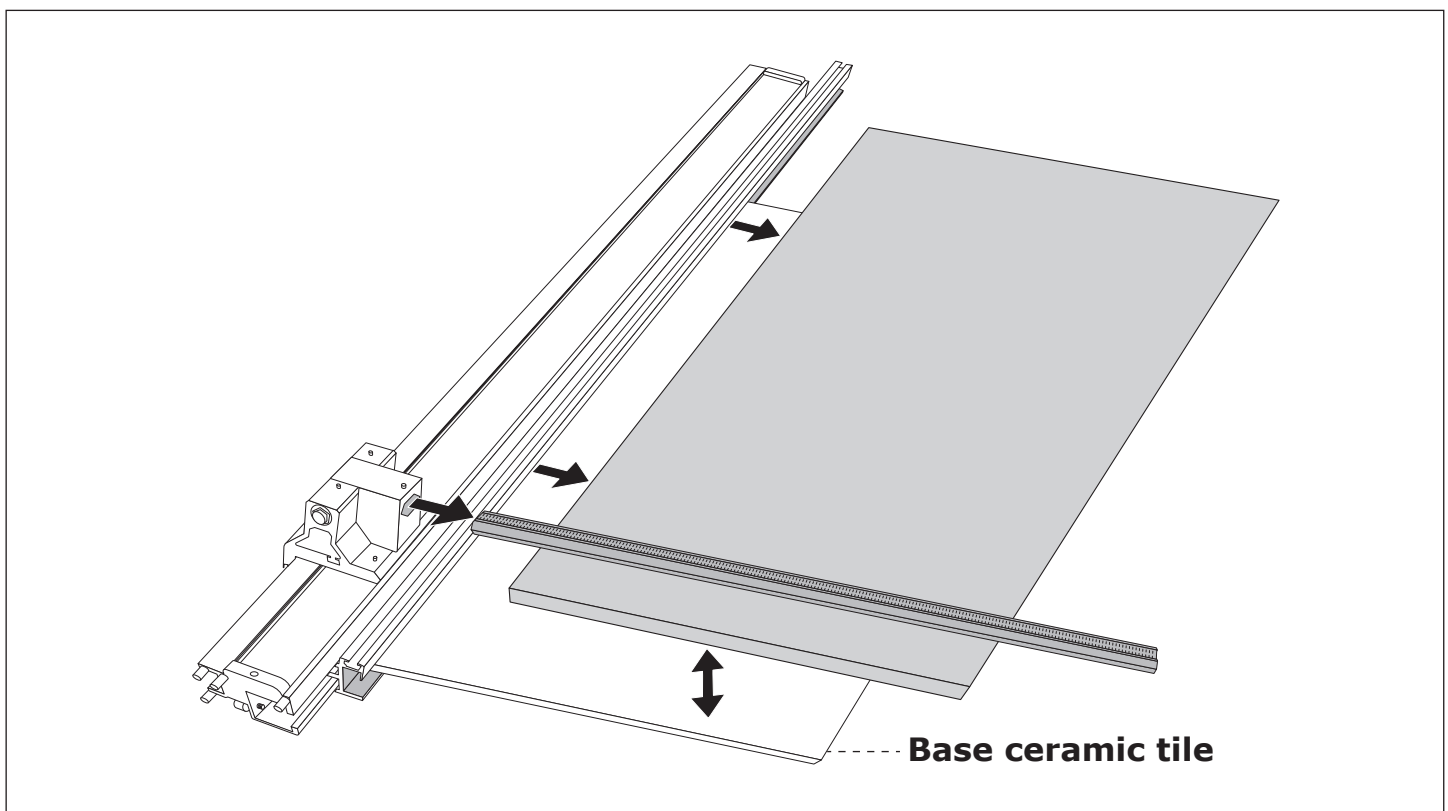
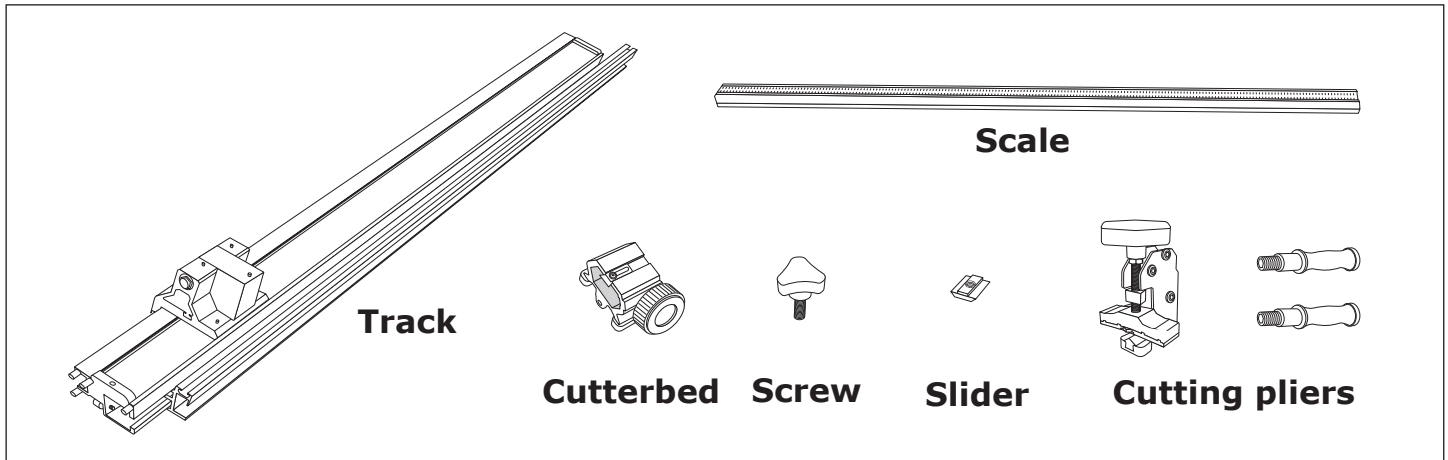


**KRAFT & DELE**  
*professional*

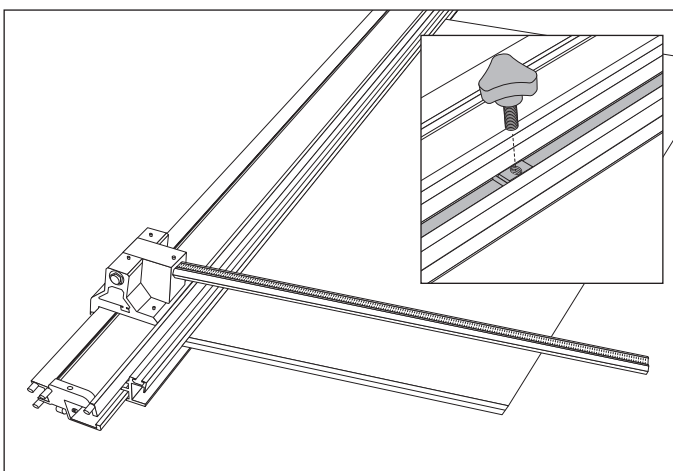


**Scalable tile T-shaped cutting machine**  
**KD11957**

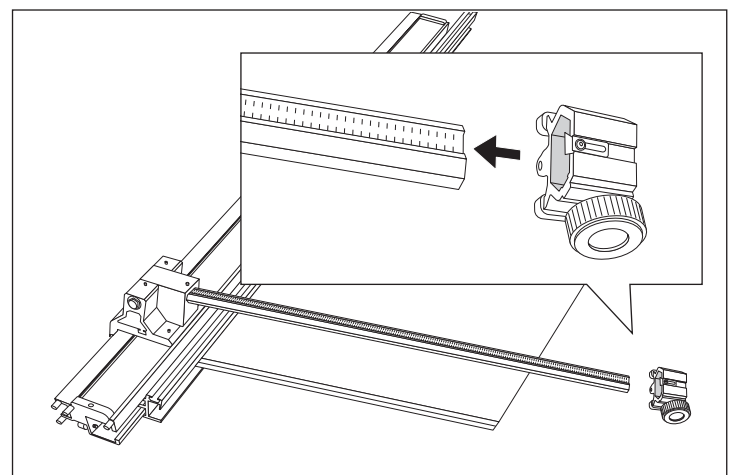
# Scalable tile T-shaped cutting machine



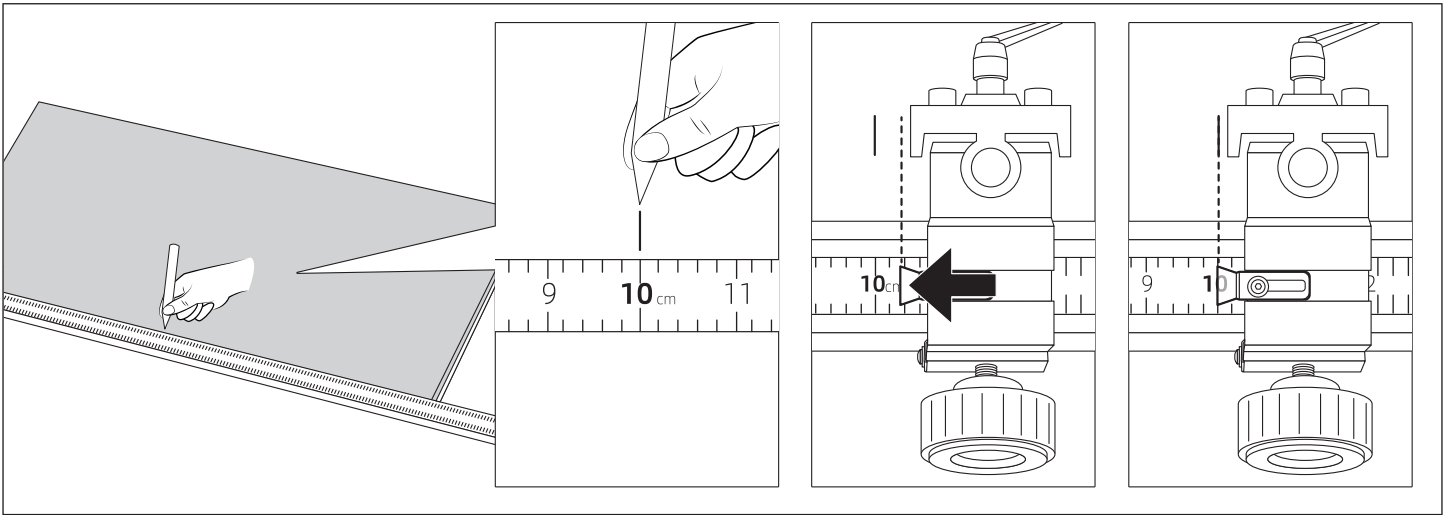
- ❶ Use connectors to splice the track and secure it  
With the tile facing up and inserted into the track



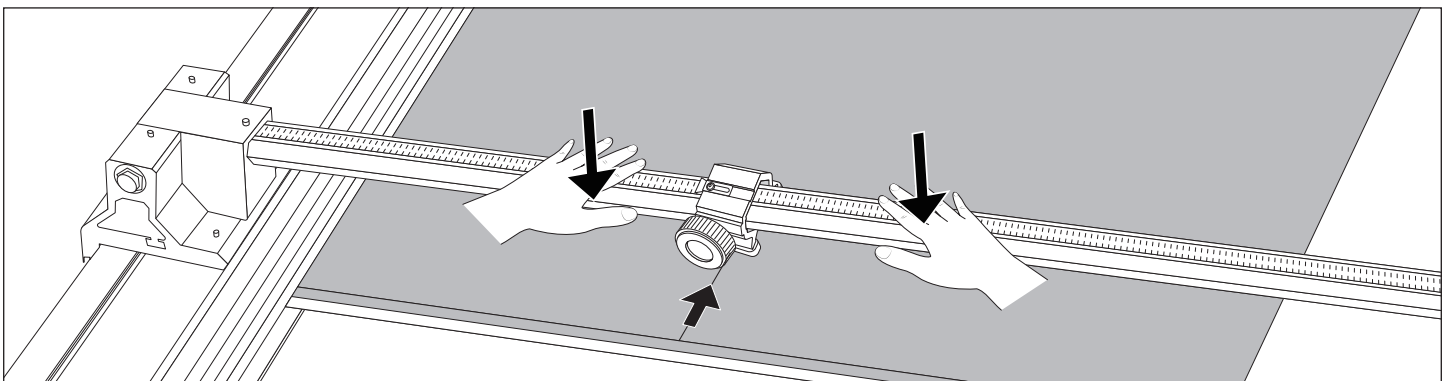
- ❷ Fix the pressure plate screws in sequence,  
place the base tiles,  
place the tiles that need to be cut face up  
and close to the track



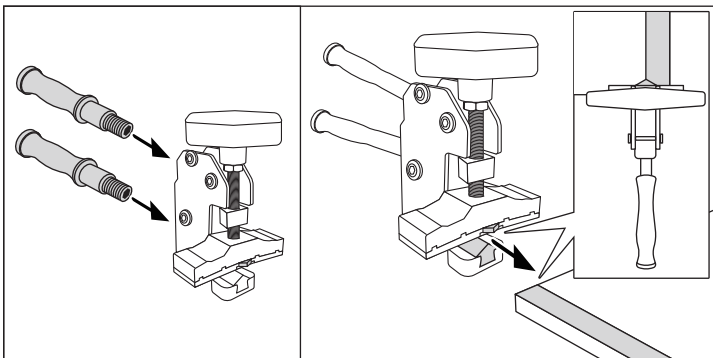
- ❸ Install the knife holder into  
the measuring rod



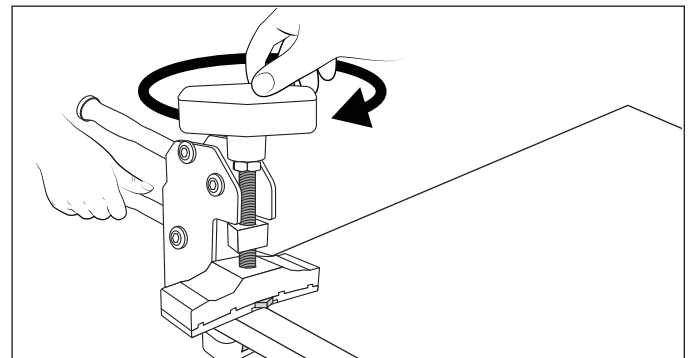
**4 Adjust the accuracy of the positioning piece to the required cutting size then tighten the screws for cutting**



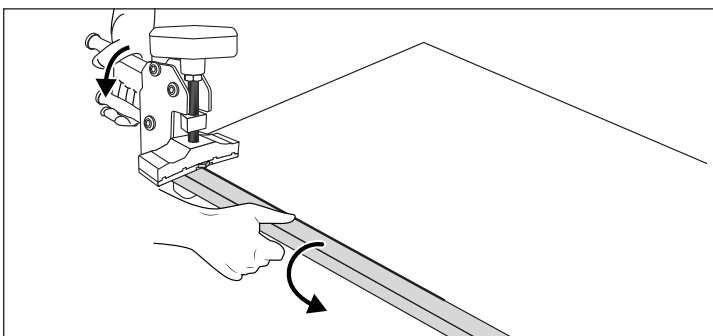
**5 Press and hold the cutting blade and ruler with both hands, and apply even force until the cutting is complete**



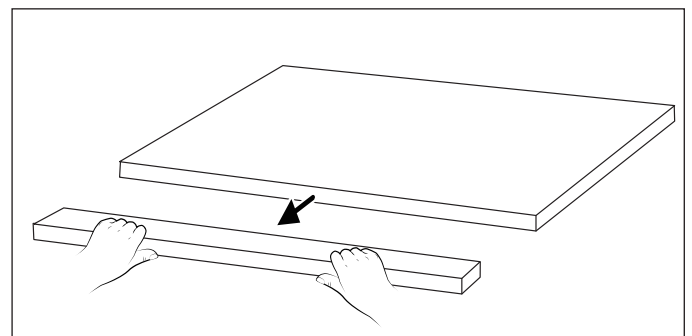
**6 Align the triangular cutting position of the pliers with the cutting line**



**7 Fix the pliers, tighten them clockwise, and then loosen them counterclockwise by about half a turn**



**8 Press down the handle and pry open the tile outward**



**9 Complete**